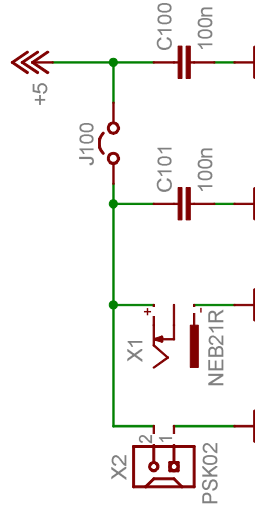
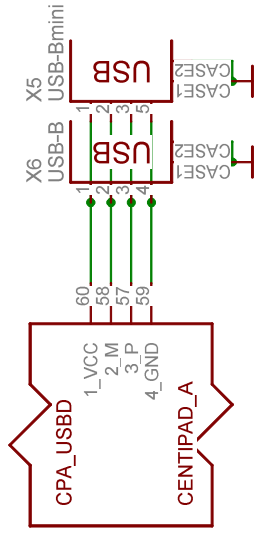
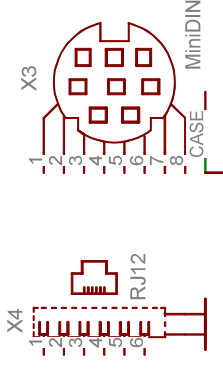
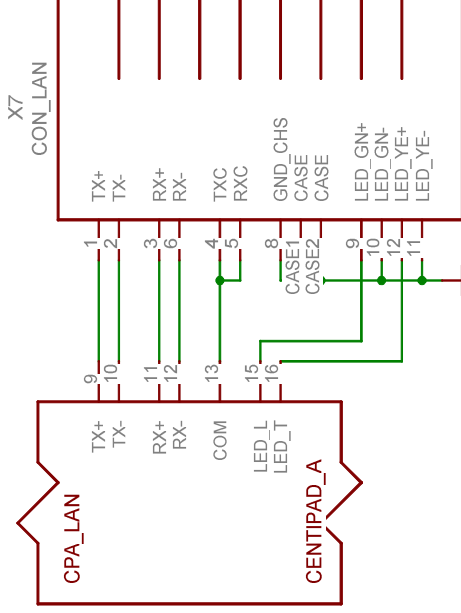



<b>HAREROD</b> Marcus Hasenstab info@harerod.de	
<h1 style="color: green;">CentiPadPT1</h1>	
<b>TITLE:</b> CentiPadPT103	
<b>Document Number:</b>	
	<b>REV:</b> V1.0
<b>Power</b>	
<b>Date:</b> 20.03.2006 18:21:00	
<b>Sheet:</b> 1/2	



<b>CentiPadPT1</b>		HAREROD Marcus Hasenstab info@harerod.de	
<b>CentiPadPT103</b>		<b>Connectors</b>	
Document Number:			REV: V1.0
Date: 20.03.2006 18:21:00		Sheet: 2/2	

## Partlist

Exported from CentiPadPT 103.sch at 05.01.008 19:41:52

EAGLE Version 4.13 Copyright (c) 1988-2000 CadSoft

Part	Value	Device	Package	Library	Sheet
C1	22u	CPOL-EUC	PANASONIC_C	#harerod	1
C2	22u	CPOL-EUSMCD	SMC_D	#harerod	1
C100	100n	C-EUC0805	C0805	#harerod	2
C101	100n	C-EUC0805	C0805	#harerod	2
CPA	CENTIPAD_A	CENTIPAD_A	CON72	#harerod	1
CPB	CENTIPAD_B	CENTIPAD_B	CON72	#harerod	1
D1	ESDA5V1	DIODE-2CA ACS	SOT23	diode	1
GND16	GND_PAD	GND_PAD	GND_PAD	#harerod	1
GND17	GND_PAD	GND_PAD	GND_PAD	#harerod	1
GND18	GND_PAD	GND_PAD	GND_PAD	#harerod	1
GND19	GND_PAD	GND_PAD	GND_PAD	#harerod	1
GND20	GND_PAD	GND_PAD	GND_PAD	#harerod	1
GND23	GND_PAD	GND_PAD	GND_PAD	#harerod	1
GND24	GND_PAD	GND_PAD	GND_PAD	#harerod	1
J100	LÖTBRÜCKE	LÖTBRÜCKENO	LÖTBRÜCKE	#harerod	2
J101	LÖTBRÜCKE	LÖTBRÜCKENO	LÖTBRÜCKE	#harerod	1
J102	LÖTBRÜCKE	LÖTBRÜCKENO	LÖTBRÜCKE	#harerod	1
J103	LÖTBRÜCKE	LÖTBRÜCKENO	LÖTBRÜCKE	#harerod	1
S1	T3305	TASTER_31XX	B3F-31XX	#harerod	1
X1	NEB21R	NEB21R	NEB21R	#harerod	2
X2	PSK02	PSK02	PSK02	con-PSK	2
X3	MiniDIN	MD08S	MDIN08S-JK	con-yamaic	hi 2
X4	RJ12	555154-1	555154-1	con-amp	2
X5	USB-Bmini	CON_USBDBMIN	CON_USBD_MIN	#harerod	2
X6	USB-B	CON_USBDB	CON_USBD	#harerod	2
X7	CON_LAN	CON_LAN	CON_LAN	#harerod	2