

CentiPadLK Laborkarte

www.centipad.com

DIN 41612 Bauform C

X10

+5V_GND

GND

CentiPAD B

CentiPAD

CentiPAD A

X1 X2 X3 X4 X5 X6 X7 X8 X9 X10 X11 X12 X13 X14 X15 X16 X17 X18 X19 X20 X21 X22 X23 X24 X25 X26 X27 X28 X29 X30 X31 X32 X33 X34 X35 X36 X37 X38 X39 X40 X41 X42 X43 X44 X45 X46 X47 X48 X49 X50 X51 X52 X53 X54 X55 X56 X57 X58 X59 X60 X61 X62 X63 X64 X65 X66 X67 X68 X69 X70 X71 X72 X73 X74 X75 X76 X77 X78 X79 X80 X81 X82 X83 X84 X85 X86 X87 X88 X89 X90 X91 X92 X93 X94 X95 X96 X97 X98 X99 X100

X22 USB-A

USB-A

USB-B

IC1

X12 X13 X14 X15 X16 X17 X18 X19 X20 X21

X103 X104 X105 X106 X107 X108 X109 X110 X111 X112 X113 X114 X115 X116 X117 X118 X119 X120 X121 X122 X123 X124 X125 X126 X127 X128 X129 X130 X131 X132 X133 X134 X135 X136 X137 X138 X139 X140 X141 X142 X143 X144 X145 X146 X147 X148 X149 X150 X151 X152 X153 X154 X155 X156 X157 X158 X159 X160 X161 X162 X163 X164 X165 X166 X167 X168 X169 X170 X171 X172 X173 X174 X175 X176 X177 X178 X179 X180 X181 X182 X183 X184 X185 X186 X187 X188 X189 X190 X191 X192 X193 X194 X195 X196 X197 X198 X199 X200

CPA

CPB

CentiPAD

CentiPAD B

CentiPAD A

CentiPAD

CentiPAD B

CentiPAD A

CentiPAD

CentiPAD B

CentiPAD A

CentiPAD

CentiPAD B

CentiPAD A

CentiPAD

CentiPAD B

CentiPAD A

CentiPAD

CentiPAD B

CentiPAD A

CentiPAD

CentiPAD B

CentiPAD A

CentiPAD

CentiPAD B

CentiPAD A

CentiPAD

CentiPAD B

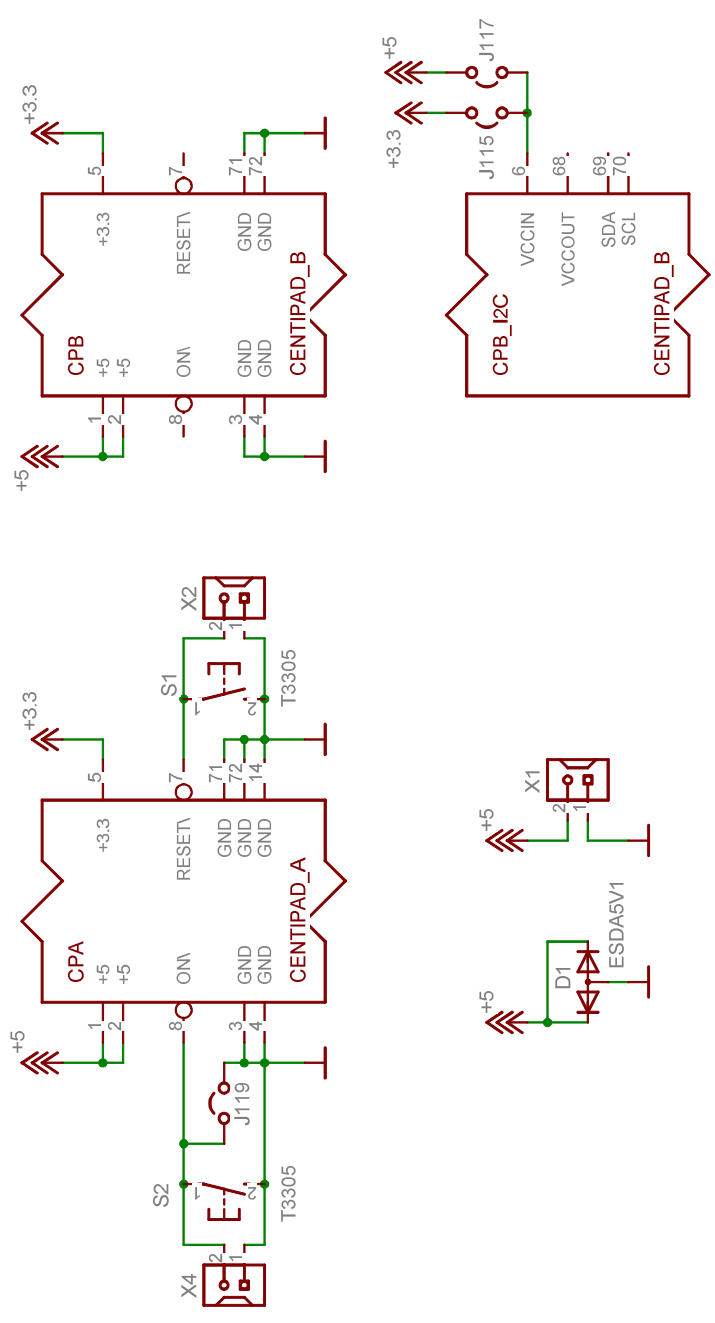
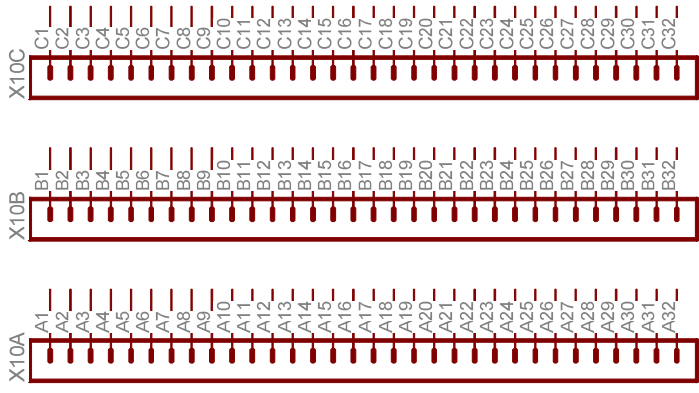
CentiPAD A

CentiPAD

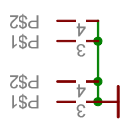
CentiPAD B

CentiPAD A

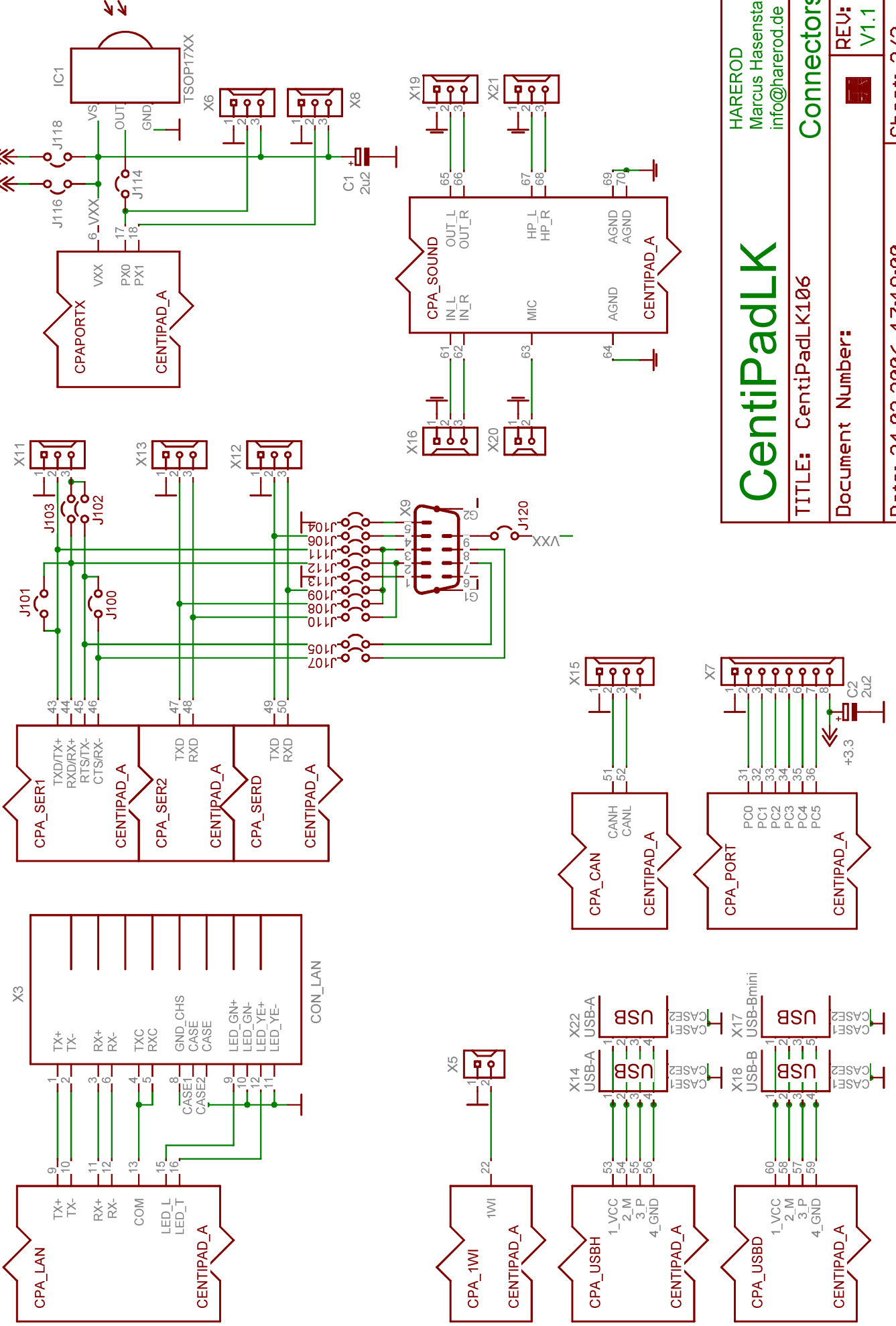
CentiPAD



CentiPadLK		HAREROD Marcus Hasenstab info@harerod.de	
TITLE: CentiPadLK106		Power, VG	
Document Number:		REV:	V1.1
Date: 24.03.2006 17:19:00			Sheet: 1/2



Ser1: SubD 9pm close only J7, J8, J13, (J10, J12) RS232: J14 close only J14
 SerD: SubD 9pf close only J6, J9, J11 RS485: J14 close only J15, J16, J17




HAREROD
 Marcus Hasenstab
 info@harerod.de

CentiPadLK

Connectors

TITLE: CentiPadLK106

Document Number: 

REV: V1.1

Date: 24.03.2006 17:19:00

Sheet: 2/2

Partlist

Exported from CentiPadLK 106.sch at 05.01.2 008 19:37:02
 EAGLE Version 4.13 Copyright (c) 1988-2004 CadSoft

Part	Value	Device	Package	Library	Sheet
C1	2u2	CPOL-EUSMCB	SMC_B	rcl	2
C2	2u2	CPOL-EUSMCB	SMC_B	rcl	2
CPA	CENTIPAD_A	CENTIPAD_A	CON72	#harerod	1
CPB	CENTIPAD_B	CENTIPAD_B	CON72	#harerod	1
D1	ESDA5V1	DIODE-2CA ACSOT23	SOT23	diode	1
IC1	TSOP17XX	TSOP17XX	TSOP17XX	#harerod	2
J100	LÖTBRÜCKE	LÖTBRÜCKENO	LÖTBRÜCKE	#harerod	2
J101	LÖTBRÜCKE	LÖTBRÜCKENO	LÖTBRÜCKE	#harerod	2
J102	LÖTBRÜCKE	LÖTBRÜCKENO	LÖTBRÜCKE	#harerod	2
J103	LÖTBRÜCKE	LÖTBRÜCKENO	LÖTBRÜCKE	#harerod	2
J104	LÖTBRÜCKE	LÖTBRÜCKENO	LÖTBRÜCKE	#harerod	2
J105	LÖTBRÜCKE	LÖTBRÜCKENO	LÖTBRÜCKE	#harerod	2
J106	LÖTBRÜCKE	LÖTBRÜCKENO	LÖTBRÜCKE	#harerod	2
J107	LÖTBRÜCKE	LÖTBRÜCKENO	LÖTBRÜCKE	#harerod	2
J108	LÖTBRÜCKE	LÖTBRÜCKENO	LÖTBRÜCKE	#harerod	2
J109	LÖTBRÜCKE	LÖTBRÜCKENO	LÖTBRÜCKE	#harerod	2
J110	LÖTBRÜCKE	LÖTBRÜCKENO	LÖTBRÜCKE	#harerod	2
J111	LÖTBRÜCKE	LÖTBRÜCKENO	LÖTBRÜCKE	#harerod	2
J112	LÖTBRÜCKE	LÖTBRÜCKENO	LÖTBRÜCKE	#harerod	2
J113	LÖTBRÜCKE	LÖTBRÜCKENO	LÖTBRÜCKE	#harerod	2
J114	LÖTBRÜCKE	LÖTBRÜCKENO	LÖTBRÜCKE	#harerod	2
J115	LÖTBRÜCKE	LÖTBRÜCKENO	LÖTBRÜCKE	#harerod	1
J116	LÖTBRÜCKE	LÖTBRÜCKENO	LÖTBRÜCKE	#harerod	2
J117	LÖTBRÜCKE	LÖTBRÜCKENO	LÖTBRÜCKE	#harerod	1
J118	LÖTBRÜCKE	LÖTBRÜCKENO	LÖTBRÜCKE	#harerod	2
J119	LÖTBRÜCKE	LÖTBRÜCKENO	LÖTBRÜCKE	#harerod	1
J120	LÖTBRÜCKE	LÖTBRÜCKENO	LÖTBRÜCKE	#harerod	2
S1	T3305	TASTER_31XX	B3F-31XX	#harerod	1
S2	T3305	TASTER_31XX	B3F-31XX	#harerod	1
X1	PSK02	PSK02	PSK02	con-PSK	1
X2	PSK02	PSK02	PSK02	con-PSK	1
X3	CON_LAN	CON_LAN	CON_LAN	#harerod	2
X4	PSK02	PSK02	PSK02	con-PSK	1
X5	PSK02	PSK02	PSK02	con-PSK	2
X6	PSK03	PSK03	PSK03	con-PSK	2
X7	PSK08	PSK08	PSK08	con-PSK	2
X8	PSK03	PSK03	PSK03	con-PSK	2
X9		M09HPUS	M09HP-US	con-subd	2
X10		VG96-3P	VG96P	19inch	1
X11	PSK03	PSK03	PSK03	con-PSK	2
X12	PSK03	PSK03	PSK03	con-PSK	2
X13	PSK03	PSK03	PSK03	con-PSK	2
X14	USB-A	CON_USBHAW	CON_USBH	#harerod	2
X15	PSK04	PSK04	PSK04	con-PSK	2
X16	PSK03	PSK03	PSK03	con-PSK	2
X17	USB-Bmini	CON_USBDBMINI	CON_USBD_MINI5	#harerod	2
X18	USB-B	CON_USBDB	CON_USBD	#harerod	2
X19	PSK03	PSK03	PSK03	con-PSK	2
X20	PSK02	PSK02	PSK02	con-PSK	2
X21	PSK03	PSK03	PSK03	con-PSK	2
X22	USB-A	CON_USBHVK2	CON_USBH_V2	#harerod	2