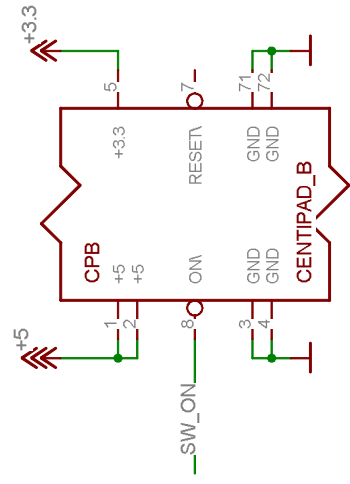
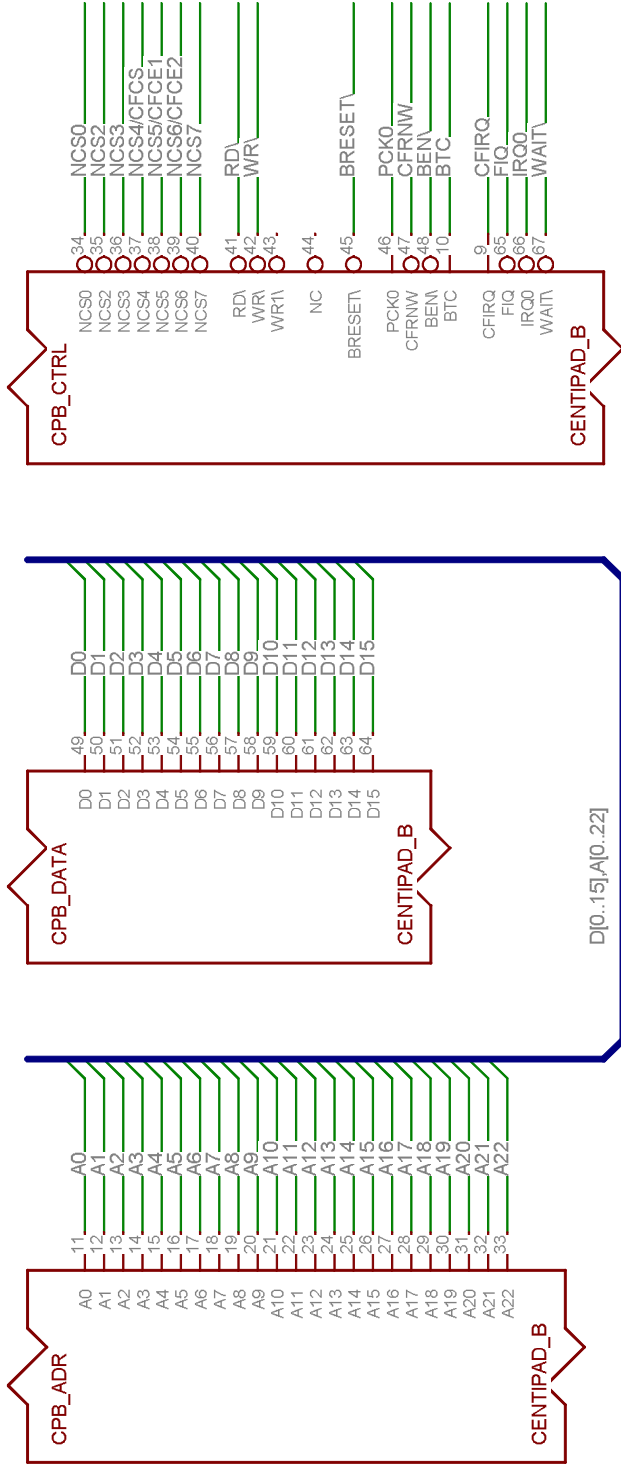


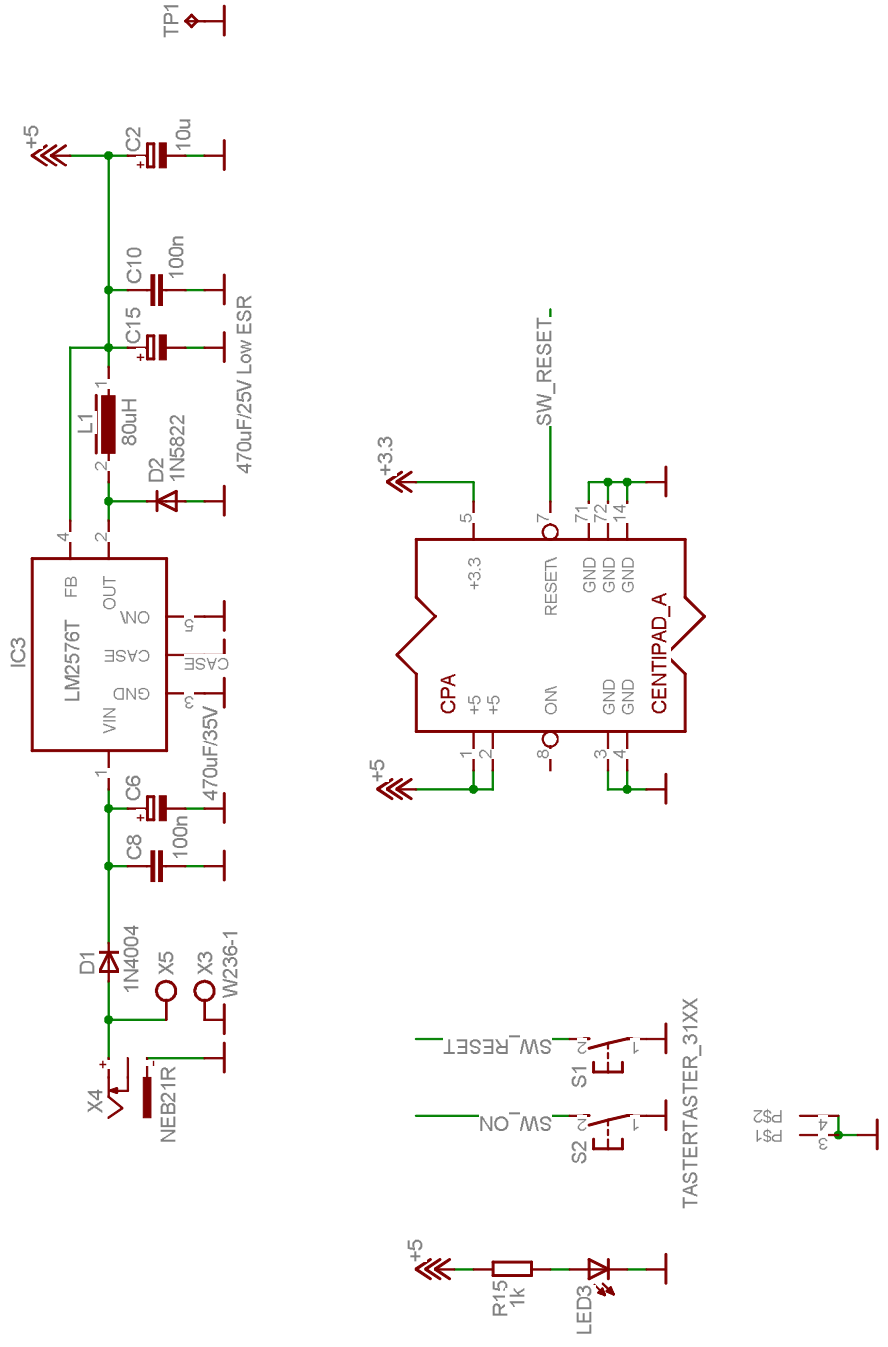
Busses



HAREROD
 Marcus Hasenstab
 info@harerod.de

CentiBOB		CPU	
TITLE: CentiBOB201psk	REV: V1.1		
Date: 29.06.2007 10:22:16	Sheet: 1/6		

Power Supply

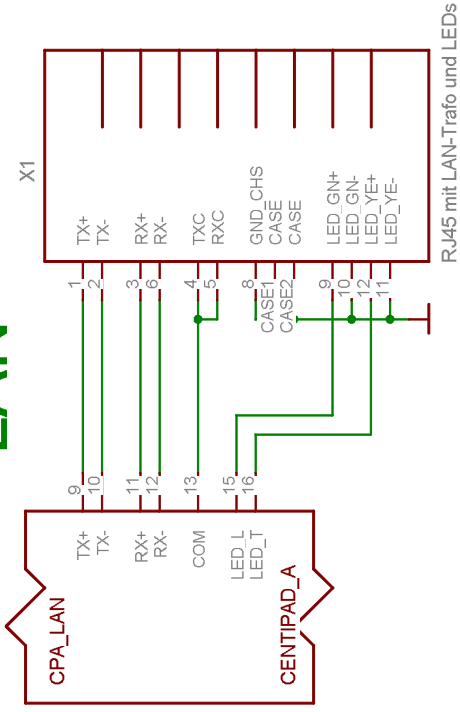


HAREROD
 Marcus Hasenstab
 info@harerod.de

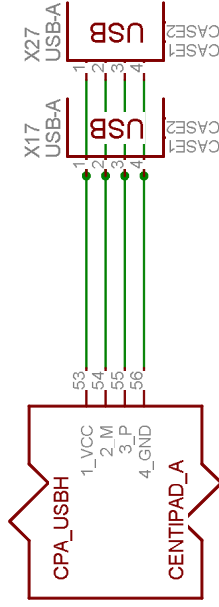
CentiBOB		CPU	
TITLE: CentiBOB201psk	REV: V1.1		
Date: 29.06.2007 10:22:16	Sheet: 2/6		



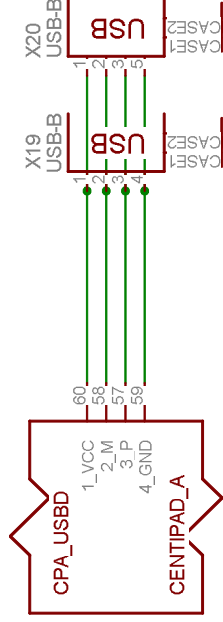
LAN



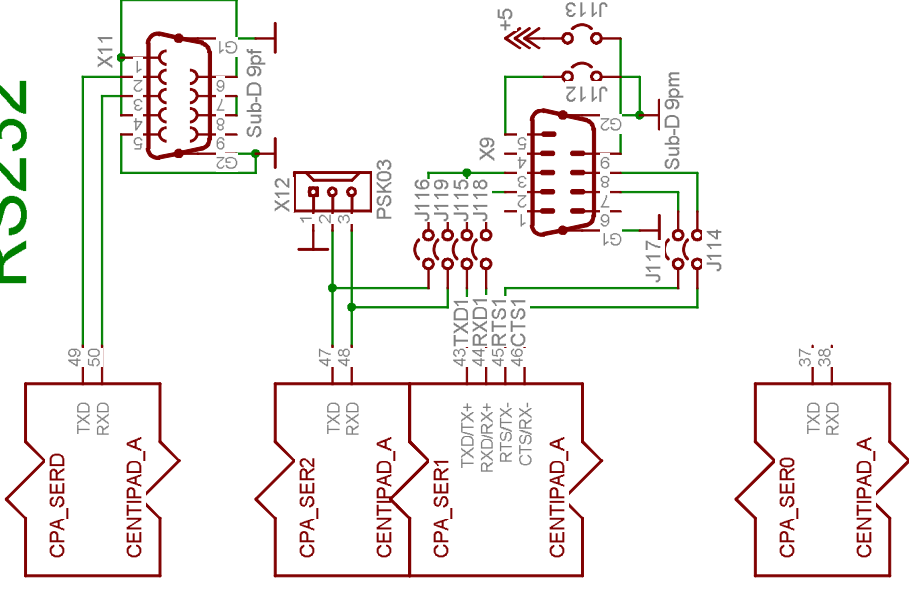
USB Host



USB Device



RS232

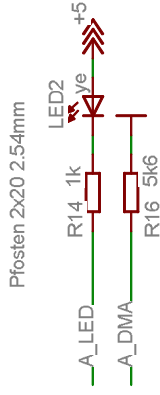
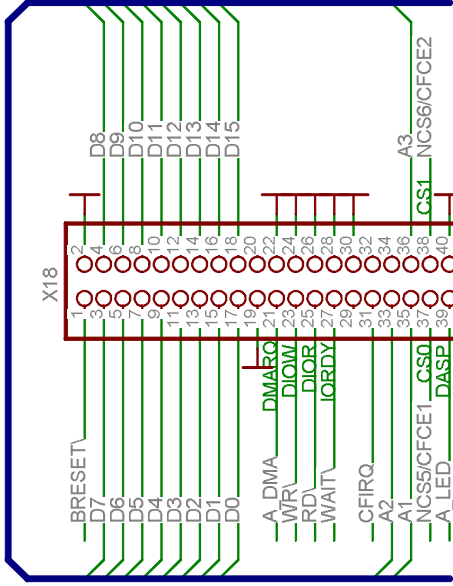


HAREROD
 Marcus Hasenstab
 info@harerod.de

CentiBOB		CPU	
TITLE: CentiBOB201psk	REV: V1.1		
Date: 29.06.2007 10:22:16	Sheet: 3/6		

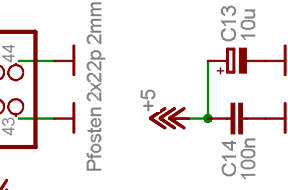
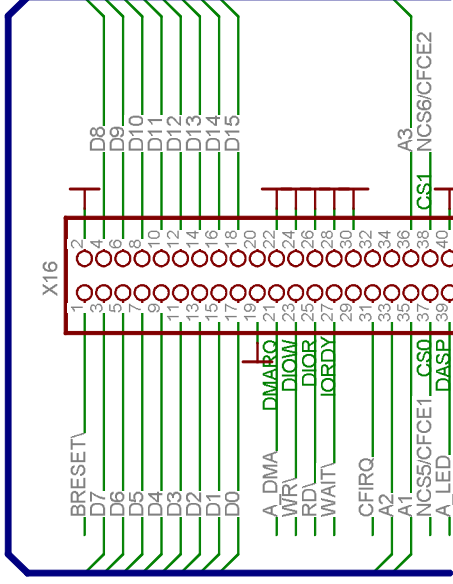
ATA 40p

D[0..15],A[0..22]



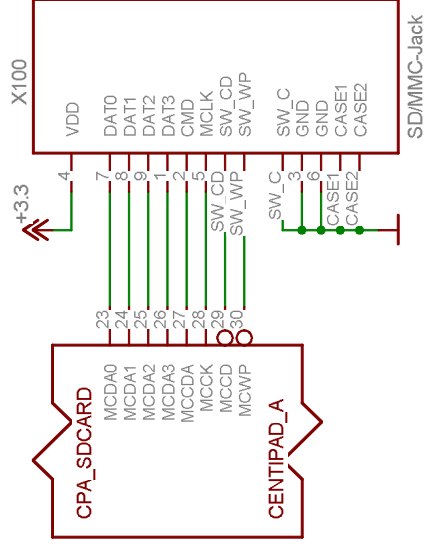
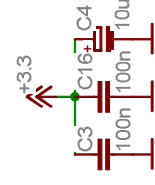
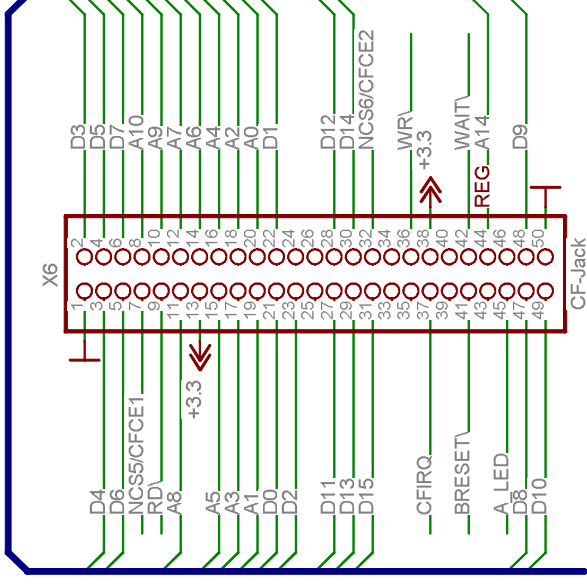
ATA 44p

D[0..15],A[0..22]



Compact Flash

D[0..15],A[0..22]

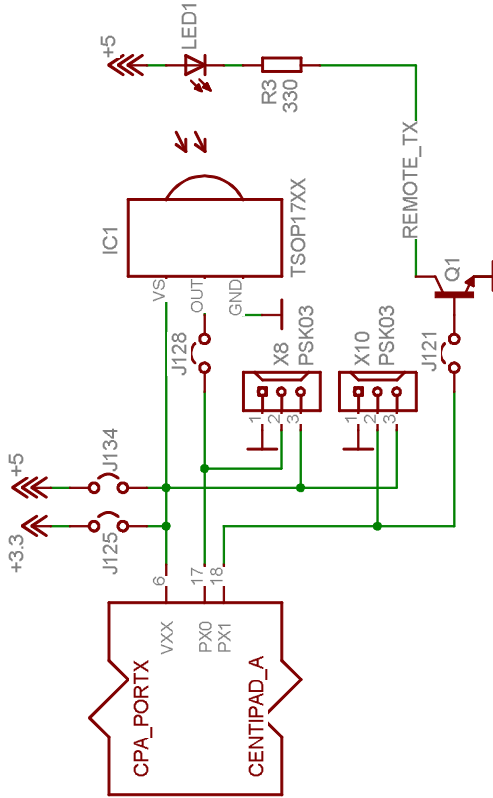


SD / MMC

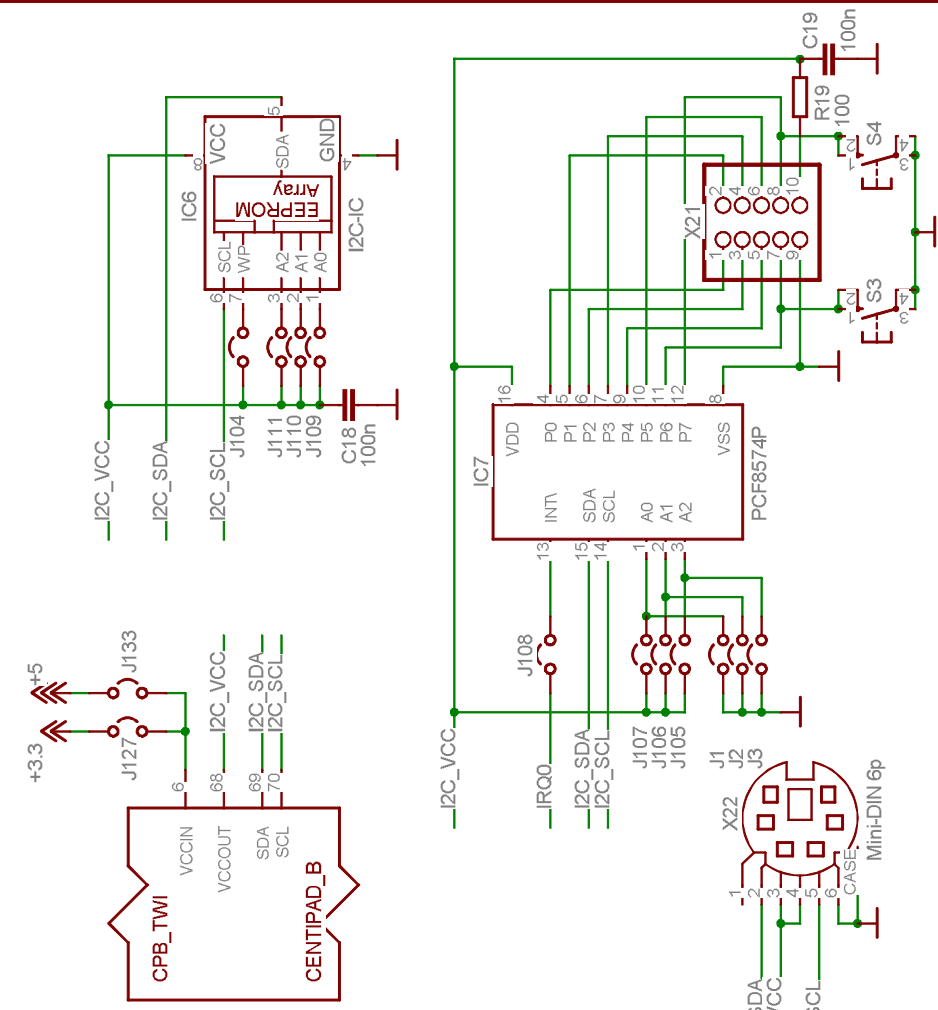
HAREROD
 Marcus Hasenstab
 info@harerod.de

CentiBOB		CPU
TITLE: CentiBOB201psk	REV: V1.1	
Date: 29.06.2007 10:22:16	Sheet: 4/6	

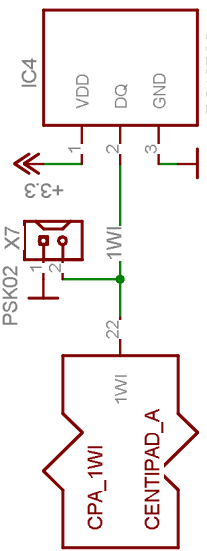
IR-Remote



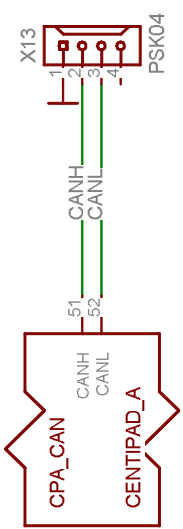
I2C



1-Wire-Interface



CAN



1-Wire is a registered trademark of Dallas Semiconductor.
I2C is a trademark of Philips Semiconductors Corporation

HAREROD
Marcus Hasenstab
info@harerod.de

CentiBOB		CPU	
TITLE: CentiBOB201psk	REV: V1.1		
Date: 29.06.2007 10:22:16	Sheet: 6/6		